

**Model**

**MDWM150 MONITOR DISPLAY WALL MOUNT**

Thank you for purchasing the *PDR* monitor mount .

To ensure the correct usage, please read and follow the instruction manual thoroughly. Please store the instructions in a safe place for future reference.

All PDR mounts and adapters carry a limited lifetime warranty from ship date against defects in material and workmanship. Check the PDR website for details @ [www.PDRmounts.com](http://www.PDRmounts.com) We are not liable for improper installation that results in damage to mounts, adapters or presentation equipment.

**Special techniques are necessary for installation of the panel display mount.**  
**Manufacturer assumes absolutely no responsibility for injuries and damages that may occur due to improper installation and handling.**

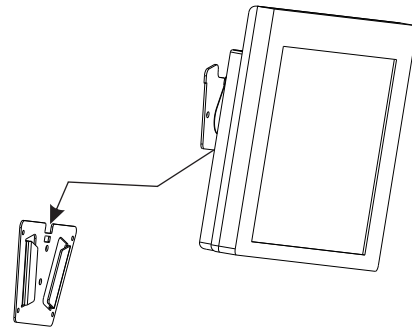
To ensure customer safety, be sure to decide the installation location so that the strength is sufficient to withstand the weight of both the monitor and the mount.

Fully tighten all of the mounting screws as specified in the instructions.

**3. MOUNT THE MONITOR ASSEMBLY TO THE WALL**

Place the monitor assembly into the bayonet slots on the mounting plate ( **small end into large end**) engages **fig 6**. To remove, slide the unit upwards and out.

**Fig 6**



**Features**

- Suitable for displays with 75mm & 100mm vesa hole pattern
- Simple to adjust no tools required
- Quick monitor removal with exclusive **"Bayonet slide system"**

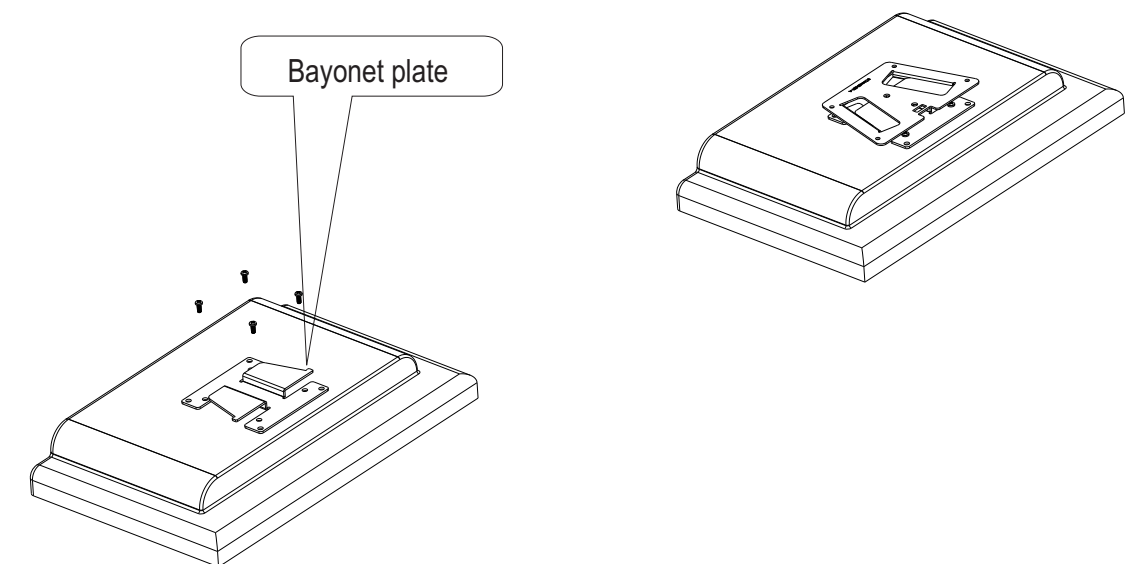
**Mounting hardware**



Wall anchors 4 pcs



Monitor mounting screw 4 pcs



## INSTALLATION LOCATION

### WARNING

- ⊘ The wall where the mount is to be installed must be capable of long-term support of the total load of the monitor and mount. Measures should be taken to ensure sufficient strength to withstand the force of earthquakes, vibrations and other external forces.

**Note:** Incorrect installation can cause the monitor mount to fall and cause injury.

Total load of the mount ( monitor + Mount)  
Maximum weight - 20 Lbs ( 10Kg.)

### CAUTION

- Avoid installing in locations where the temperature and humidity are excessively high, and where contact with any water is possible. These can result in fire or electric shock.
- Do not install in locations where there is excessive vibration or impact. Injury and damage could result from the monitor mount falling.

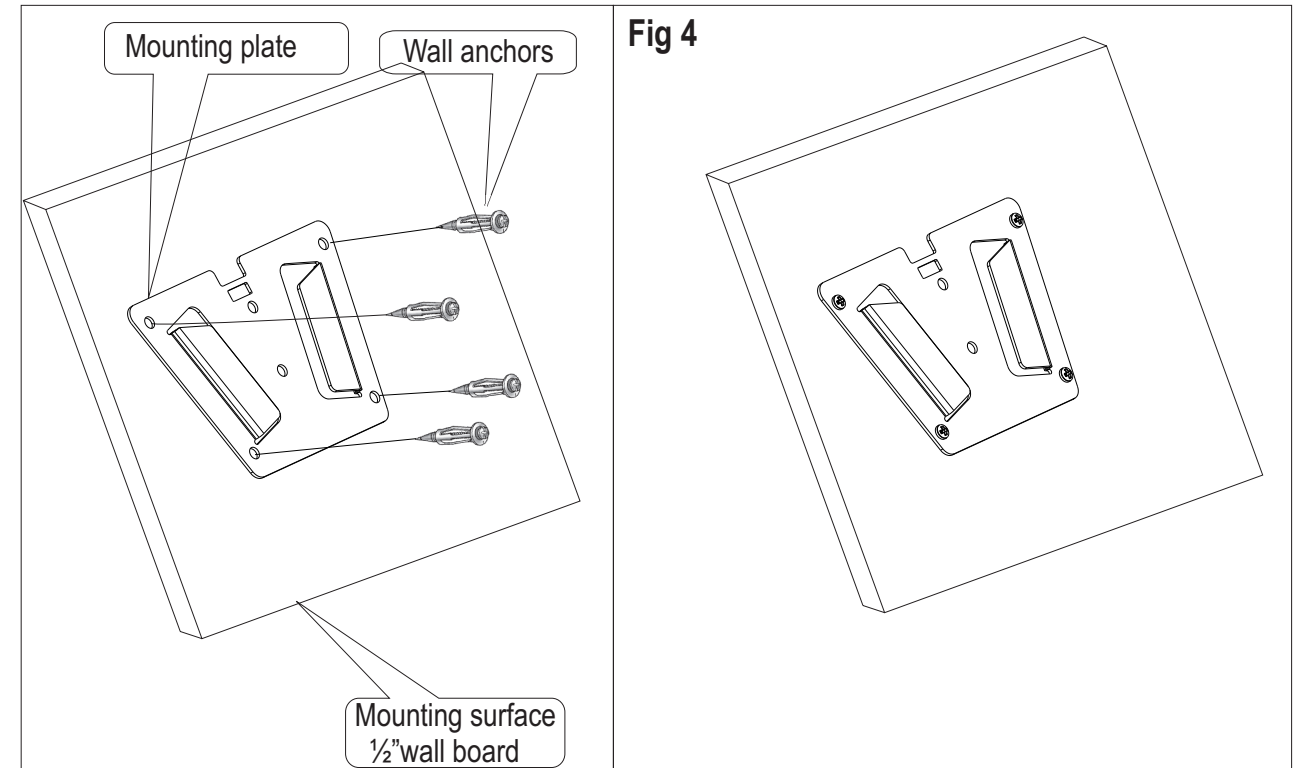
### WARNING

- Use the specified screws in the specified places and tighten firmly. Failure to do this could cause injury if the monitor mount falls.
- Do not alter any of the parts. Do not use broken parts. This could result with injury due to the monitor mount falling..

**CAUTION: INSTALLATION OF UNIT IS TO BE CARRIED OUT BY QUALIFIED TECHNICIANS ONLY. INSTALL IN AN APPROPRIATE LOCATION BY CHECKING THE STRUCTURE AND DURABILITY FOR SAFETY AND ACCIDENT PREVENTION.**

## 1 FASTENING THE MOUNTING PLATE TO THE WALL

Locate the best viewing angle for the monitor, and using the 4 wall anchors supplied, attach the mounting plate to the wall. Place the narrow end of the plate facing downward. Alternate hardware may be required if attaching to a solid surface.. See **fig 3** and **fig 4**



## 2 ATTACH THE MOUNT TO THE MONITOR

Lay the monitor on a soft surface, face down, and attach the mount using 75mm or 100mm VESA hole pattern and the 4 screws supplied. See **fig 5 ( note top of monitor)**

**NOTE:** Do not over tighten the bracket mounting screws as damage to the monitors internal mounting threads could occur.

