

Model

iwbb-1614 IN WALL BOX INSTRUCTIONS

For use with PDM & PSTM series mount products to store cables and accessories behind wall mounts.

Thank you for purchasing this **PDR** product

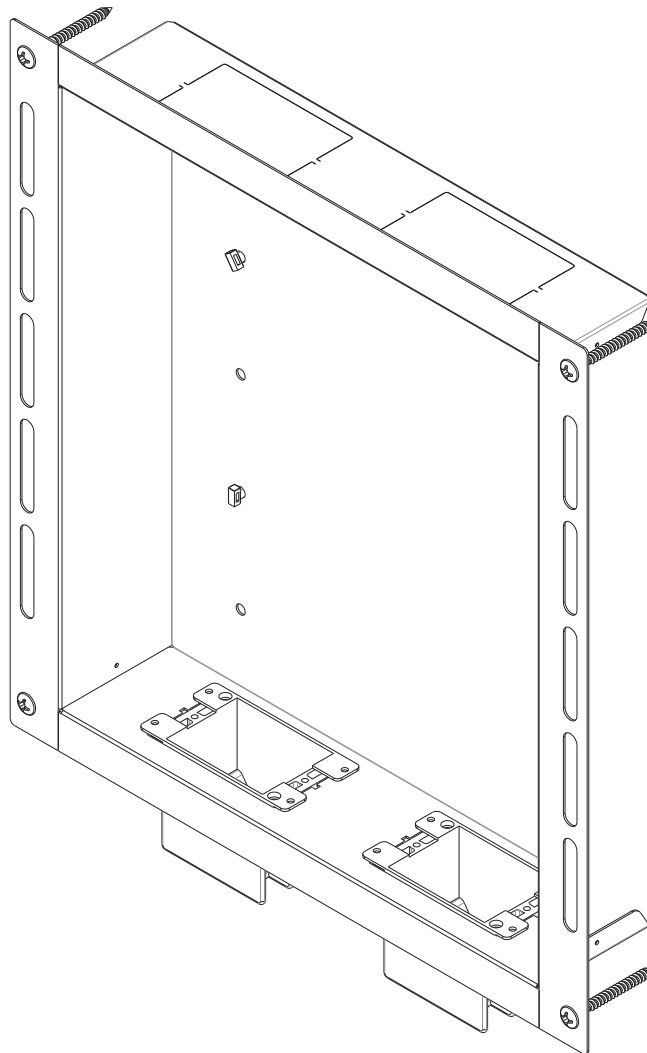
To ensure the correct usage, please read and follow the instruction manual thoroughly. Please store the instructions in a safe place for future reference.

All **PDR** mounts and adapters carry a **lifetime warranty** against defects in material and workmanship.

We are not liable for improper installation that results in damage to mounts, adapters or presentation equipment.

Special techniques are necessary for installation of the panel display mount.

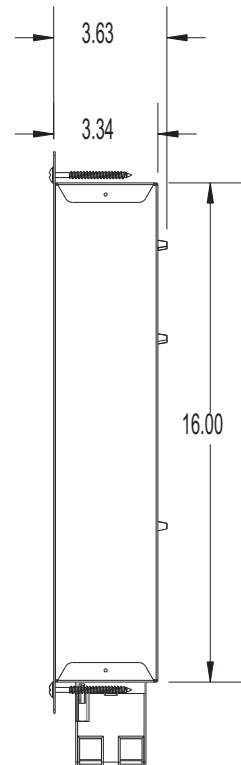
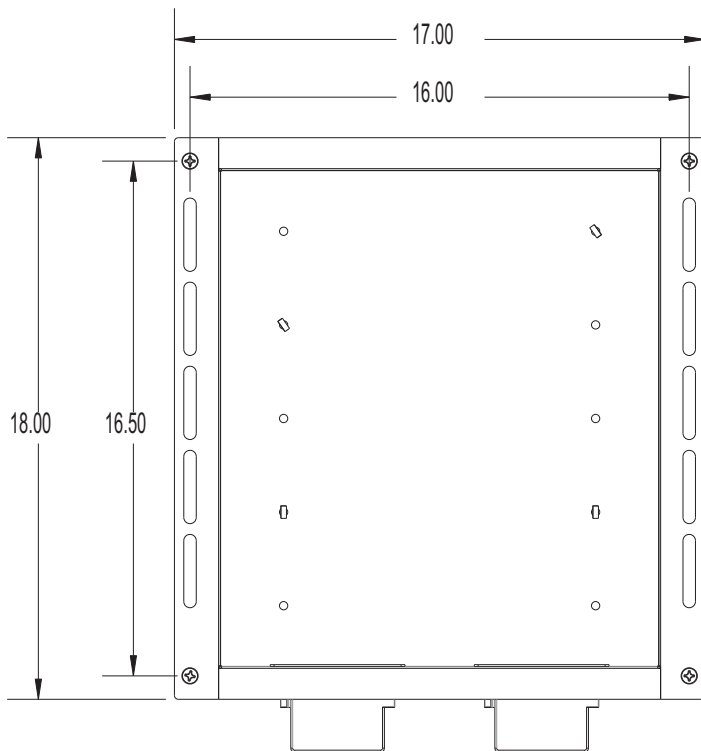
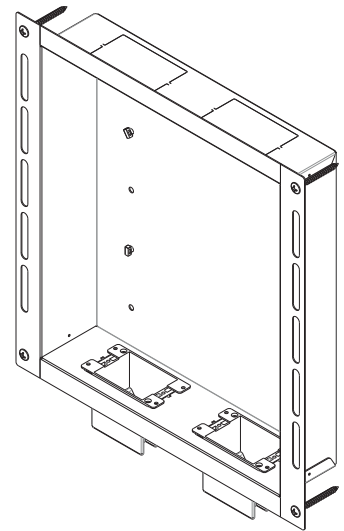
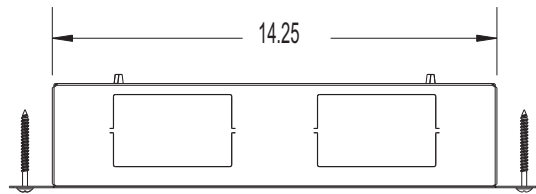
- Manufacturer assumes absolutely no responsibility for injuries and damages that may occur due to improper installation and handling.
- This product (IWBB-1614) is intended for use in standard 2"x 4" (wood) construction with studs on 16" or 24" centers.
- All electrical connections should be performed by a qualified electrician.



Specification subject to change without notice.

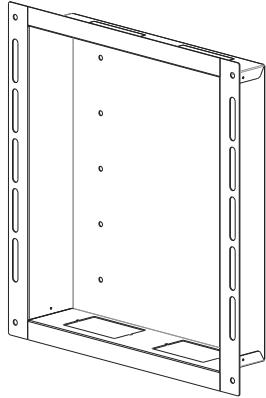
SPECIFICATIONS

Model IWBB-1614 In Wall Box



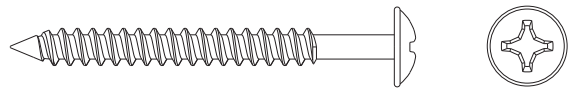
PARTS LIST AND HARDWARE

1



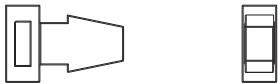
IN WALL BOX
1 INCLUDED

2



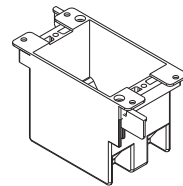
14 X 2.5 PHILLIPS ROUND WOOD SCREW 4 INCLUDED

3



CABLE TIE HOLDER
4 INCLUDED

4



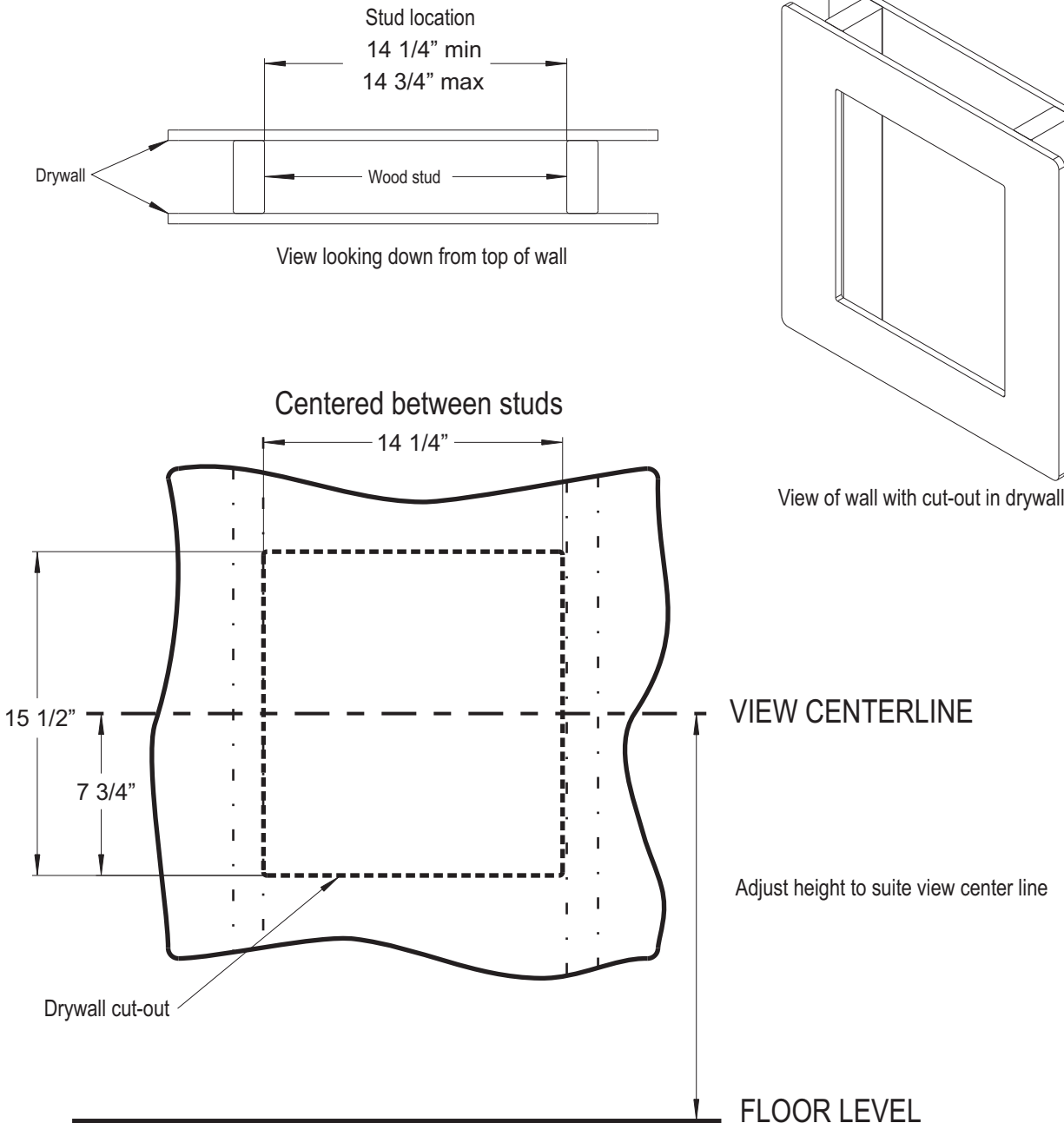
CARLON VOLTAGE BOX
CARLON-B114R
2 INCLUDED

(Box can be used with standard covers, receptacles and plates)

INSTALLATION INSTRUCTIONS FOR DRYWALL CUT-OUT

- 1: Find a suitable place for the IWBB-1614 box. Make certain that there is no plumbing, wiring or any other obstacle in the wall.
- 2: Locate the center of the wooden studs (using a stud finder) and mark the location of the studs.
- 3: The studs should have an inside dimension (between the two studs) of 14 1/4" to 14 3/4"
- 4: Mark the desired center line height .
- 5: Place the box on the center line between the studs and trace the back against the wall.
- 6: Cut-out with a drywall saw.
- 7: Route all necessary audio, video and electrical cables thru drywall cut-out.

CAUTION! A qualified electrician should make all power connections



INSTALLING THE IN WALL BOX IWBB-1614

- 1: There are 4 knock outs in the in wall box (2 top and 2 bottom) for the use of the carlon elec. box (item 4)
- 2: Determine the location of the power and video cables and remove the desired knock outs (tap out with a hammer and twist to remove)
- 3: Pull the wires thru the knock outs and place the IWBB-1614 into the wall.
- 4: Push the box into the drywall cut-out against the flange, and drill a 1/8" pilot hole on all 4 lag bolt locations
- 5: Using the lag bolts (items 2), fasten thru the drywall and into the wall studs.
- 6: Push the right side flush to the drywall and fasten the lag bolts. The slots allow the metal to bend and conform to the stud spacing
- 7: Pull the cables thru the carlon boxes and place the box into the knock out hole and fasten with the carlon screws attached to the box.
- 8: Box covers and plugs for the electrical and video (not supplied) can be purchased from your local hardware store
- 9: Place the cable ties(item 3) into the desired pre drilled hole in the back of the box. Use cable ties (not included) to tie up cables.

